

MECHANICAL METER MOUNTING POSITIONS

STANDARD FLOW

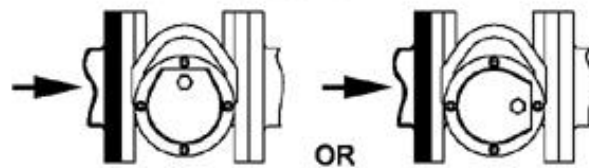
VERTICAL MOUNTING

FLOW FROM TOP TO BOTTOM



HORIZONTAL MOUNTING

FLOW FROM LEFT TO RIGHT



REVERSED FLOW

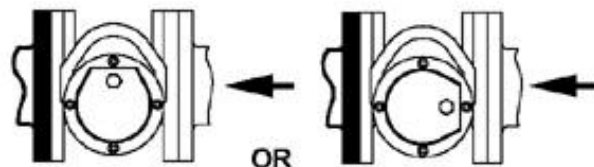
VERTICAL MOUNTING



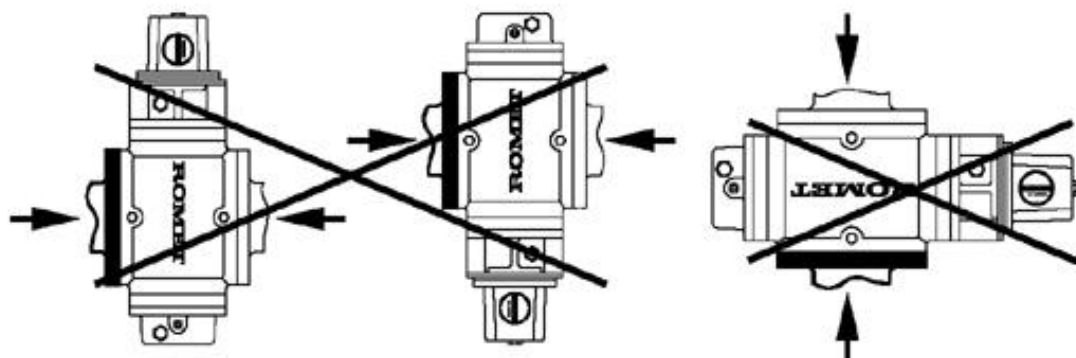
FLOW FROM BOTTOM TO TOP

HORIZONTAL MOUNTING

FLOW FROM RIGHT TO LEFT



INCORRECT MOUNTING



NOTE: REFER TO BULLETIN 601
FOR OIL & MOUNTING INSTRUCTIONS.