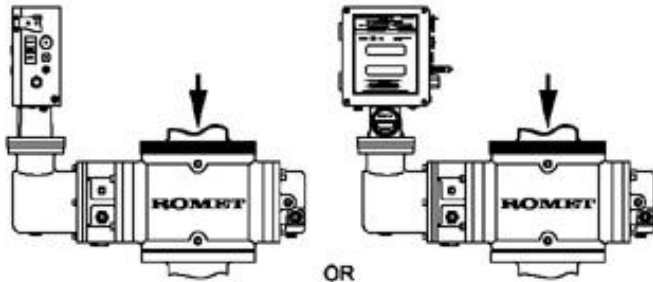


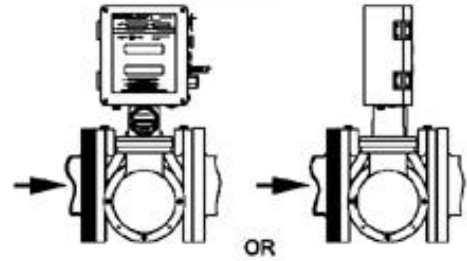
CORRECTOR MOUNTING POSITIONS

STANDARD FLOW

VERTICAL MOUNTING
FLOW FROM TOP TO BOTTOM

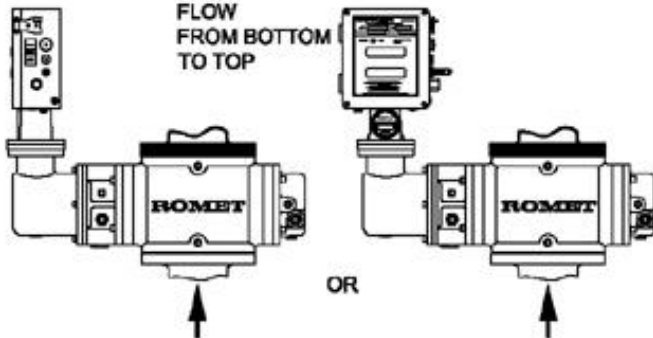


HORIZONTAL MOUNTING
FLOW FROM LEFT TO RIGHT

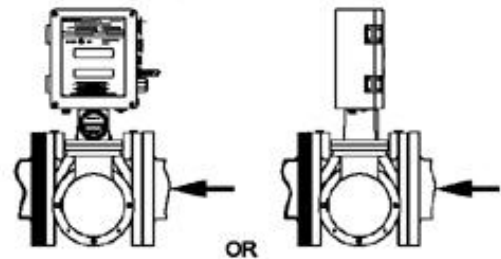


REVERSED FLOW

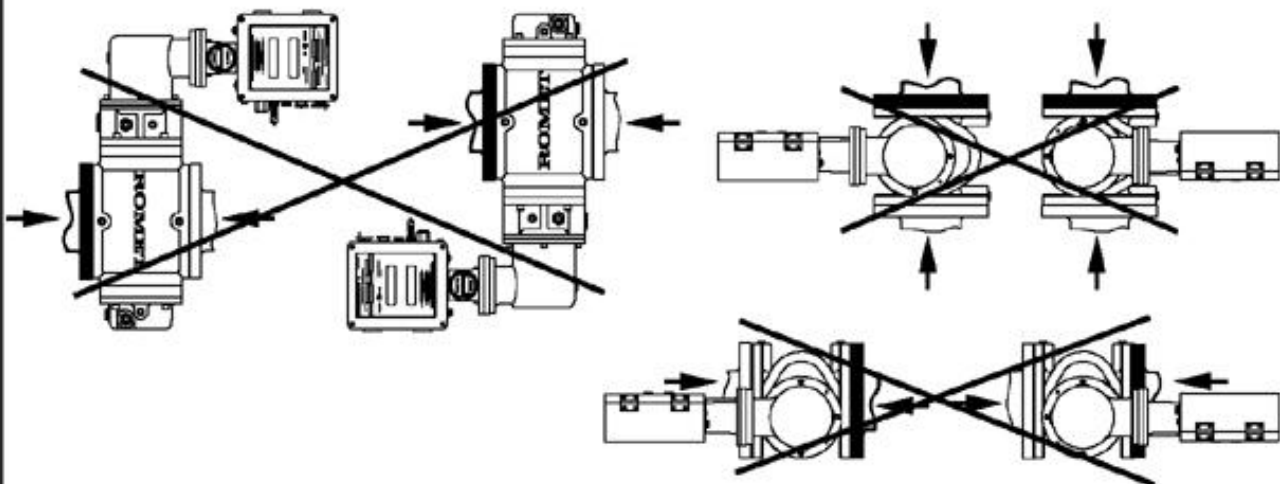
VERTICAL MOUNTING
FLOW FROM BOTTOM TO TOP



HORIZONTAL MOUNTING
FLOW FROM RIGHT TO LEFT



INCORRECT MOUNTING



NOTE: REFER TO BULLETIN 601 FOR OIL & MOUNTING INSTRUCTIONS.